

**SOIL HAS BEAUTY,
SOIL HAS STRENGTH...**

TEST & MOULD IT *for* **BETTER WAYS**



TM-090

Liquid Limit Device

(As per IS : 2720-Part V)

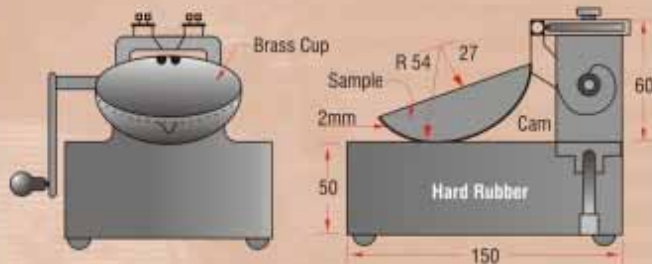
Hand Operated

Liquid limit is that water content at which a part of soil cut by a groove of standard dimension will flow together for a distance of 1.25 cm under air impact of 25 blows in standard liquid limit apparatus. It consists of a brass cup held on adjustable brackets. It is supplied with grooving tools along with a 10 mm thick plate to adjust the height of blow. The counter is also fitted with it to register the number of blow.

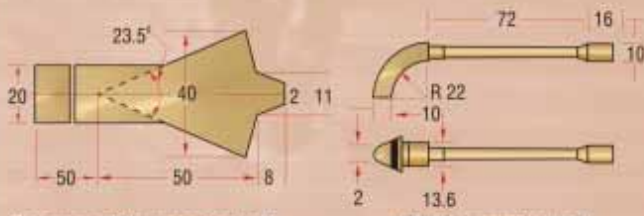
(As per IS : 2720-Part V)

Motorised

Same as above but fitted with a motor geared down to give 120 r.p.m. operating on 220 volts, single phase A.C. supply.



Liquid limit device



Casagrande's grooving tool

ASTM grooving tool

All dimensions in 'mm'

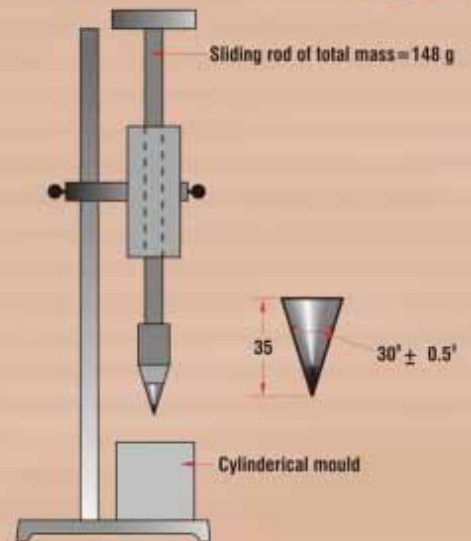
TM-026

Cone Penetrometer

(As per IS : 2720-Part V-IS : 11196-1985)

Alternative device used to determine the liquid limit of soil which have low plasticity index. The moisture percentage contents determined when cone with half angle of 30° under a total sliding weight of 148 gm penetrates 25 mm in soil sample gives the liquid limit.

The Apparatus is supplied complete with standard cup of dimension 50 mm dia X 50 mm depth.



All dimensions in 'mm'

TM-124

Plastic Limit Set

(As per IS : 2720-Part V)

Moisture Content at which soil has smallest plasticity is called Plasticity limit. Thus plastic limit is defined as the water content at which a soil will just begin to crumble when rolled of 3 mm dia.

The complete set consists of one each:

1. Glass plate 20X20 cm having ground ends and side frosted.
2. Brass rod of 3 mm dia and 150 mm long.
3. Flexible spatula.
4. Set of 6 moisture containers.
5. Porcelain bowl of 100 mm dia.
6. 25 ml. Measuring Cylinder (pp).

Above kit is well packed in corrugated box.



TM-152

Shrinkage Limit Device

(As per IS : 2720-Part V)

Shrinkage limit is the maximum water content at which a reduction in water does not cause an appreciable reduction in volume of the soil mass.

This set consists of

1. shrinkage dish,
2. glass cup,
3. perspex plate with three metal prongs,
4. perspex plate,
5. flexible spatula,
6. glass cylinder of 25 ml. (supplied without mercury.)

Complete in carrying case.

Optional : Mercury-Bottle of 500 gm.



TM-028

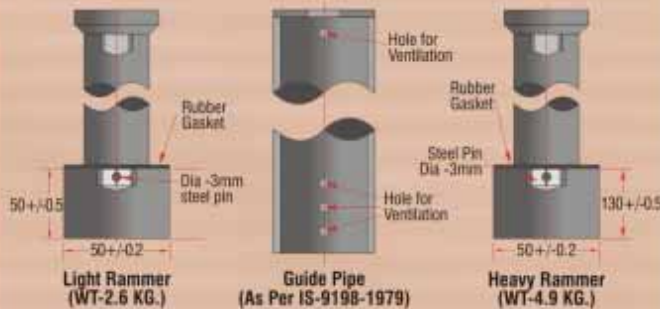
Compaction Test Apparatus

(As per IS : 2720-Part VII & VIII-IS : 10074- 1982)

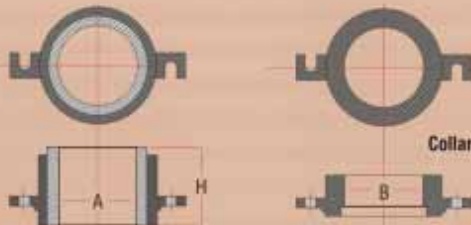
Compaction test is used to determine the O.M.C. and M.D.D. of soils. Two different compaction, heavy and light are available.

Light compaction apparatus consists of a mould having 100 mm ID X 127.3 mm height and 1000 cc volume, complete with collar and base plate and a rammer of 2.6 Kg X 310 mm falling height.

Heavy compaction apparatus consists of a mould having 150 mm ID X 127.3 mm height and 2250 cc volume, complete with collar and base plate and a rammer of 4.90 Kg X 450 mm falling height.



Type	A	B	H
LIGHT	100 +/- 0.4	100 +/- 0.4	127.3 +/- 0.2
HEAVY	150 +/- 0.4	150 +/- 0.4	127.3 +/- 0.2



All dimensions in 'mm'

TM-027

Core Cutter-Dolly-Rammer

(As per IS : 2720-Part XXIX-1966)

Used to determine the in-situ dry density of fine grained soils, free from aggregates. From the weight, density and the moisture the dry density can be calculated.

It is supplied with

1. A cylindrical core cutter of 127.3 mm height X 100 mm dia of volume 1000 cc.
2. Dolly of 50 mm height X 100 mm dia.
3. Rammer with steel rod, weight approx. 12 Kg.



IS 2720-Part XXVIII-1974

Where,

B	C	D	E	F
100 +/- 0.1	108 +/- 0.1	115 +/- 0.1	100 +/- 0.1	106 +/- 0.1

All dimensions in 'mm'

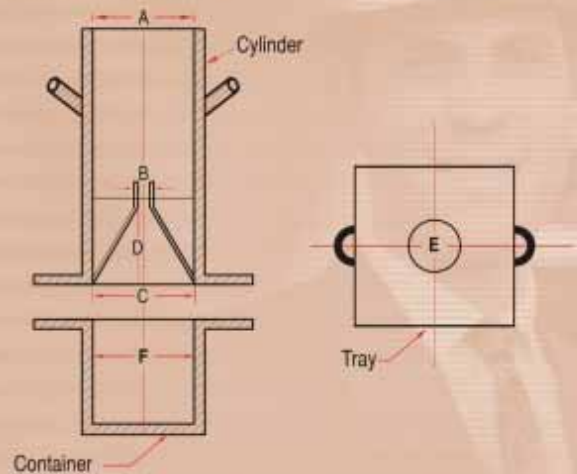
TM-162/163

Sand Pouring Cylinder

(As per IS : 2720-Part XXVIII-1974)



Used to determine the dry density of coarse, fine and medium grained soils. Sand pouring cylinder of three different sizes are available. It consists of a cylinder fitted with conical funnel and shutter and calibrating container, metal tray with hole in the centre of different diameter as per the size of the cylinder. The Dimensions are as per I.S. of related sizes are as under.



S.P.cyl. with tray (As Per IS : 2720 (P-28) -1975)

Pouring Cyl. Size	A	B	C	D	E	F
SMALL	115 ± 1	13 ± 0.1	115 ± 1	75 ± 1	100 ± 1.0	100 ± 0.1
MEDIUM	165 ± 1	19 ± 0.1	165 ± 1	105 ± 1	150 ± 1.0	150 ± 0.1
LARGE	215 ± 1	25 ± 0.1	215 ± 1	160 ± 1	200 ± 1.0	200 ± 0.1

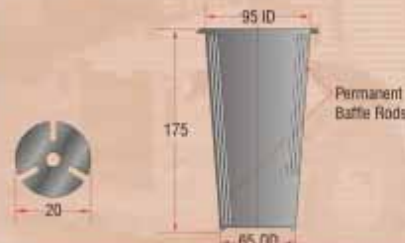
All dimensions in 'mm'

TM-154

High Speed Stirrer

(As per IS : 2720-Part IV)

It is used for mechanical analysis and also other laboratory applications for stirring. Its speed is approximately 8000 r.p.m. A dispersion cup is supported on a rest on the stand of the stirrer and has a removable baffle. A regulator is also provided for speed regulation. Operating on 220 Volts, single phase A.C. supply.

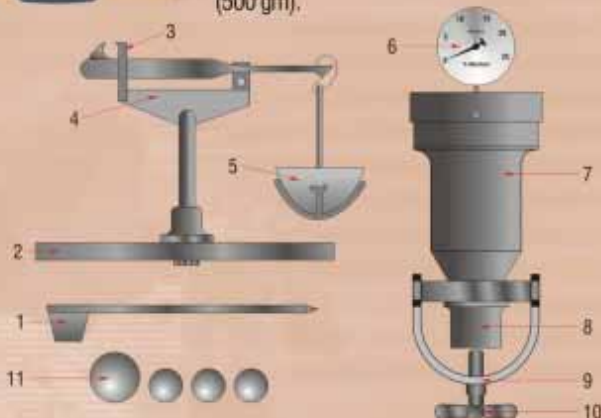


TM-145

Rapid Moisture Meter

(As per IS : 2720-Part II-1973)

For quick determination of moisture percentage of materials in powder form like soil, sand, coal, cement etc. The unit is highly polished wooden carrying case consists of a pressure vessel with clamp for sealing, rubber sealing gasket, pressure gauge calibrated in moisture percentage for moisture content 0-25% or 0-50% on the wet weight basis, a counter poised balance to weigh the sample, a scoop for measuring carbide reagent, one cleaning brush, set of 4 steel balls (3 steel ball of about 12.5 mm dia., and 1 steel ball of 25 mm dia.) and one calcium carbide bottle (500 gm).



- | | |
|-------------------|-----------------|
| 1. Scoop | 7. Body |
| 2. Balance Base | 8. Cup |
| 3. Index Mark | 9. U-Clamp |
| 4. Balance Arm | 10. Clamp Screw |
| 5. Pan | 11. Steel Ball |
| 6. Gauge 0-25/50% | |

Optional : Spare Calcium Carbide Bottle

TM-029

Universal Automatic Compactor

(As per IS : 2720-Part VII & VIII)

To eliminate the laborious compaction process, a mechanically cum electrically operated automatic compactor is developed. It saves time as compactor is provided with two stroke lengths with heavy and light attachment. So the apparatus can be used for light as well as heavy compaction.

It is supplied with two sets of rammers, one of light and one of heavy with ratchet and pawl arrangement to lift it from the top of soil layer. An automatic blow counter fitted to the compactor is used to set the number of blows. The equipment is operated on 220 volts, single phase, A.C. supply.



Optional Accessory :
Compaction mould 1000 cc
Compaction mould 2250 cc

TM-084

Infra-Red Moisture Balance

(As per IS : 2720-Part II-1973)

This equipment is useful for rapid determination of moisture content of soil. Provided with IR lamp for drying of soil sample and torsion balance for getting percentage of moisture on weight basis from a scale and the results obtained are convertible to moisture content on dry basis.

It is supplied completely with solid state electronic regulator with accuracy of 0.2% by direct reading and 0.1% by estimation. "L" shape thermometer, spare pans as well as instruction manual is also supplied along with the instrument. It is operated on 220 volts, single phase A.C. supply.



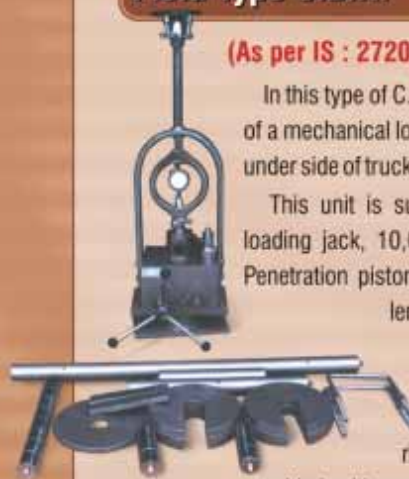
TM-035

Field Type C.B.R.

(As per IS : 2720-Part XXXI)

In this type of C.B.R., loading is effected by means of a mechanical load frame which can be fixed to the under side of truck.

This unit is supplied with : Mechanical screw loading jack, 10,000 Kg capacity with U bracket, Penetration piston, Extension rods consisting of 2 lengths 5 cm, 2 lengths 10 cm, 1 length 30 cm, 1 length 50 cm and 1 length 100 cm used as spacers between the proving ring and penetration piston. It is provided with a quick release screw type clamp, annular metal weight of 5 Kg-1 no. slotted metal weight of 5 Kg-2 nos. slotted metal weight of 10 Kg-2 nos.



EIE-101 Hot Air Oven



Double Walled, outer powder coated, glasswool insulation, Temp. range 50°C to 250°C. Temp. control by sensitive Thermostat. Built in 'L' shaped Thermometer, the heaters are placed at bottom and sides for uniform heat distribution. Inside chamber Stainless-steel or Aluminum. Operated on 220 volts, single phase, A.C. supply.

Working Size (cm.)

H	30	35	45	60	60	90
W	30	35	45	45	60	60
D	30	35	45	45	60	60
Trays	1	1	2	2	3	3

Optional Fittings :

- A. Forced air circulation by F.H.P. Motor for uniform heat distribution.
- B. Digital temp. indicator cum controller with sensor in place of thermostat and thermometer
- C. 0 - 24 hours Digital timer.



Tech-Mech Electronic Balance



Very useful for Density, C.B.R., Moisture test as well as for general laboratory tests. The sharp LED display is easy to read and at the touch of a button precision weight in gram or milligram is obtained. The milligram sensitive balance is offered with a wind shield. Battery back up model is also available which is useful in field work.

Available sizes with specifications are as under :

CAPACITY	ACCURACY (approximate)	PLATFORM SIZE
200 gm	10 mg	Round 110 mm
300 gm	10 mg	Round 110 mm
500 gm	10 mg	Round 125 mm
5000 gm	500 mg	250 X 215 mm
10 Kg	1 gm	250 X 215 mm
22 Kg	2 gm	350 X 300 mm
20 Kg	1 gm	350 X 300 mm
30 Kg	5 gm	400 X 350 mm

Operated on 220 volts, single phase, A.C. supply.



EIE-901 Round Hot Plate



Electrically operated, round shape, top plate made of C.I./S.S. and body of thick mild steel duly powder coated. The Top plate is fitted at a distance to main body so that the equipment and panel remains the cool. The heater is made from nikronthal 80/20 wire, properly insulated with cerwool and insulating material. The energy regulator is fitted for controlling the required temperature. Complete with neon indicators and three core wire to work on 220 volts, single phase, A.C. supply.

Top Plate Dia (cm)	20	23	30
--------------------	----	----	----

Optional Fittings : Digital Temp. Controller with dual display.

EIE-902 Rectangular Hot Plate



Electrically operated, rectangular in shape, Top plate made of C.I./S.S. and body of thick mild steel with three heat control switch for selection of Low, Medium and High heat. The top plate is fitted at a distance to main body so that the equipment and panel remains the cool. The heater is made from nikronthal 80/20 wire, properly insulated with cerwool and insulating material. The energy regulator is strongly recommended for long life of heaters. Complete with neon indicators and three core wire to work on 220 volts, single phase, A.C. supply.

Top Plate Size (cm)

25	X	30
25	X	40
30	X	50
45	X	60

Optional Fittings :

All above hot plates can be fitted with thermostat.
All above hot plates can be fitted with energy regulator.
Digital Temp. Controller with dual display.

Tech-Mech OMC Test Kit

Used for rapid determination of moisture on the field. This kit consists of :

1. Core Cutter with dolly and rammer as per IS : 2720 part-XXVIII
2. Fry pan
3. Enamel tray 250 X300 mm
4. Spatula
5. Stove (2 litre capacity)
6. Straight edge 300 mm long
7. Two pan balance, 5 kg capacity with set of weights.



TM-001 Sampling Augers



Augers are useful to collect undisturbed soil samples at reasonable depths for lab. tests. Augers are available in two different types : Blade (Posthole type) and Helical (screw) type. Each Auger consists one each of Augers head, one meter long rod, tee piece and a handle.

Posthole type Augers are available in three different sizes like : 75 mm, 100 mm & 150 mm dia.

Screw type Augers are available in different size like : 25 mm, 38 mm, 50 mm, 75 mms, 100 mm, 150 mm, 200 mm, 250 mm and 300 mm dia.

Depth of excavating can be increased by using additional extension rods.

Tech-Mech Sample Extractor Frames

Consists of four pillers with at least 19 mm thick lower and upper platens. The groove is also provided on the lower platen to insert the core cutter/marshall mould/compaction mould. The upper platen is fitted with ribs and adjustable rod to extract the sample.



TM-072 Extractor Frame, Hydraulic :

Hand operated, Capacity 5000 kgf with plunger and thrust plate for 100 mm dia. and 150 mm dia. moulds.

TM-073 Extractor Frame, Universal :

Consisting of a channeled base, two slotted side supports, a bracket and a lead screw with locking collar and handle. Complete with adapter 150 mm dia. tube or mould and one stand to obtain three 38 mm dia. samples from the 100 mm dia. sample.



TM-141 Pycnometer



(As per IS : 2386-Part III)

Useful to determine specific gravity of clays (Passing through 4.75 mm sieve), sand and gravel of size smaller than 10 mm. Comprises of a 1 Kg. glass jar/with brass cone, locking ring and a rubber seal.



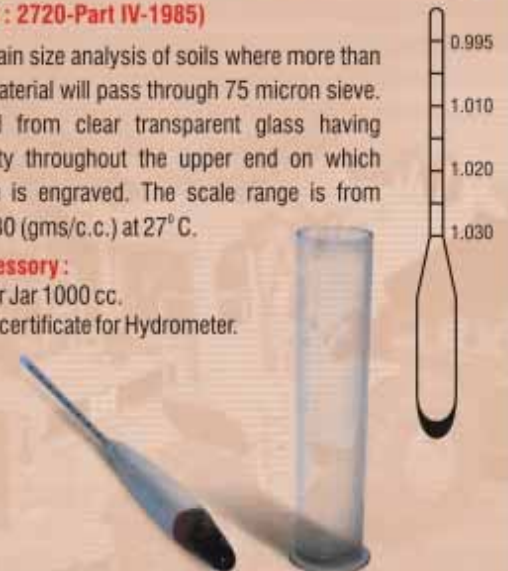
Tech-Mech Soil Hydrometer

(As per IS : 2720-Part IV-1985)

Used for grain size analysis of soils where more than 10% of the material will pass through 75 micron sieve. Manufactured from clear transparent glass having uniform clarity throughout the upper end on which density scale is engraved. The scale range is from 0.995 to 1.030 (gms/c.c.) at 27° C.

Optional Accessory :

1. Hydrometer Jar 1000 cc.
2. Calibration certificate for Hydrometer.



TM-239

Test Sieves (IS 460-1962)

20 cms dia. Brass Sieve, are used for sieving aggregate, sand, soil and cement etc.

Fine Series

BSS Mesh No.	ASTM Mesh No.	ISS Mesh No.	Width of Aperature
-	4	-	4.75 mm
4	5	480	4.00 mm
5	6	340	3.35 mm
6	7	280	2.80 mm
7	8	240	2.36 mm
8	10	200	2.00 mm
10	12	170	1.70 mm
12	14	140	1.40 mm
14	16	120	1.18 mm
16	18	100	1.00 mm
18	20	85	850 microns
22	25	70	710 microns
25	30	60	600 microns
30	35	50	500 microns
36	40	40	425 microns
44	45	35	355 microns
52	50	30	300 microns
60	60	25	250 microns
72	70	20	212 microns
85	80	18	180 microns
100	100	15	150 microns
120	120	12	125 microns
150	140	10	106 microns
170	170	9	90 microns
200	200	8	75 microns
240	230	7	63 microns
300	270	6	53 microns
350	325	4	45 microns
400	-	-	40 microns



Set of Lid Pan made of Brass jointless.

TM-239

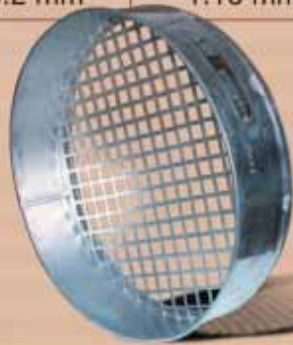
Test Sieves (IS 460-1962)

G.I. Frame Sieves (30 & 45 cms dia)

Coarse Series

125.0 mm	40.0 mm	12.5 mm
106.0 mm	37.5 mm	11.2 mm
100.0 mm	31.5 mm	10.0 mm
90.0 mm	26.5 mm	9.5 mm
80.0 mm	25.0 mm	8.0 mm
75.0 mm	22.4mm	6.7 mm
63.0 mm	20.0 mm	5.6 mm
53.0 mm	19.0 mm	4.75 mm
50.0 mm	16.0 mm	2.36 mm
45.0 mm	13.2 mm	1.18 mm

Lid and pan



TM-135

Compression Proving Rings

Proving rings are used for load measurements and are used in the outfits of number of soil and bitumen testing equipments like Direct shear apparatus, Triaxial test apparatus, C.B.R. test apparatus, Marshall test apparatus etc.



They are made out of special steel carefully forged to give maximum strength and machined to give highest sensitivity, long life and accuracy. When compressive or tensile load is applied within the elastic range, the proving ring gets temporarily deformed. This deformation is measured by a sensitive dial gauge fixed co-axially at the centre of the proving ring.

Proving rings from 50 Kg to 1,00,000 Kg capacity are available. Each ring is individually calibrated and supplied with works calibration chart and a carrying case.

Calibration charts from Govt. Laboratories like N.P.L., N.C.C.B. and R.T.C. are also available.

Available in following capacities :

1. 2.5 KN, 5 KN, 10 KN, 25 KN, 30 KN, 50 KN, 100 KN.
2. 200 KN, 300 KN, 500 KN, 1000 KN.
3. 2000 KN, 3000 KN, 5000 KN.

TM-157/158

Sieve Shaker "GYRATORY"



It can carry up to 7 sieves of 20 cm dia. The shaker is driven by a ¼ h.p. motor through a reduction gear immersed in grease. The sieve does not rotate by it's inclined from the vertical axis and the direction of inclination changes progressively in clockwise direction. If the stop pin below the table is removed, the shaker can have a rotary motion. A pair of rods and holders are supplied. Operated on 220 volts, single phase, A.C. supply.

Optional Accessories :

1. An adaptor for 45 cm dia. G.I. sieve .
2. 0-60 minutes timer.

TM-155

Sieve Shaker "Hand Operated"



This is a bench type model which is portable, sturdy and convenient for bench mounting. The side to side movement to the carrier which can take up to 7 sieves of 20 cm diameter is through a chain of gears operated by a hand wheel.

Tech-Mech General Lab. Utilites

Tech-Mech Two Pan Balance



Needle type aluminium diecasted body : It is generally useful in density, C.B.R. and General laboratory testing. It is a scientific needle type close body counter with double dish supplied with complete set of weights duly stamping by weight and measurements department.

5 Kg, 10 Kg and 20 Kg capacity balances are available in this kind of model.

Tech-Mech Two Pan Balance



Plain sheet metal body : It is a mechanical type two pan balance supplied with plain rectangular dish. This balance is available in 30 Kg. Capacity which is very useful for carrying out density test with large size sand pouring cylinder. It is also supplied completely with set of weights.

Tech-Mech Analytical Weight Box



Complete in wooden case comprising of following weights. Weights are made of Brass and having works certificate.

200 gm, 100 gm, 50 gm,
20 gm (2 Nos.), 10 gm, 5 gm,
2 gm (2 Nos.) 1 gm, 500 mg,
200 mg (2 Nos.), 100 mg, 50 mg,
20 mg (2 Nos.), 10 mg, 5 gm,
2 mg (2 Nos.) 1 mg.

Forcep is supplied for handling mg weights.

Tech-Mech Glass/Plastic Ware

♦ **Measuring Cylinder** : Made from Borosil glass. Transparent and heat resistant. The graduated marking is precisely marked for accurate measurement. It is very useful in Liquid limit test, Plastic Limit test, OMC test, MDD test, CBR test and General Laboratory work. Cylinder in Polypropylene (PP) material is also available. This is unbreakable and semi-transparent with graduation

Available in : 25 ml., 50 ml., 100 ml., 250 ml., 500 ml., 1000 ml. & 2000 ml.

♦ **Glass Beaker** : Made from borosil glass. Transparent and Heat resistant.

Available in : 50 ml., 100 ml., 250 ml., 500 ml., 600 ml., 1000 ml. & 2000 ml.

♦ **Pipettes** : Available in following sizes



Capacity (ml.)	Graduation Interval (ml)
0.1	0.01
0.2	0.01
1.0	0.01
1.0	0.1
2.0	0.02
2.0	0.1
5.0	0.05
5.0	0.1
10.0	0.1
25.0	0.2

♦ **Wash Bottle** : LDPE Plastic, Screw Cap, Fitted with Stopper and Delivery Tube. Capacity 500 ml. Diameter 57 mm approx.



Tech-Mech General Handy Tools

♦ **Sand Scoop** : It is fabricated from heavy gauge CRC sheet duly welded at joints with sturdy handle. It is generally useful for transferring soil sample. Available in Semi Circular and Rectangular shape.

♦ **Spatula** : Made of steel, flexible with wooden or metal handle, very useful for liquid limit and plastic limit test.

♦ **Straight edge** : 300 mm long X 5 mm thick with taper edge, very useful in compaction, density and CBR test.

♦ **Chiesel** : Approximate 250 mm long X 25 mm dia. One end taper forged duly hardened and another end as handle. Useful in excavating hole from the soil surface.

♦ **Nylon Brush** : Made from fine nylon thread with sturdy metal handle. Useful for cleaning fine sieve cloth.

♦ **Nylon Rammer** : For density test with sand pouring cylinder & general laboratory work.



Tech-Mech Moisture Can



It is useful in determining moisture contents in soil. It is made from aluminum or stainless steel and available in following sizes :

	Dia (mm)	Height (mm)
1.	50	50
2.	50	75
3.	75	75
4.	75	100
5.	100	100

Tech-Mech Measuring Instruments

- ♦ Vernier Calipers (Ordinary & Dial Type) of 150 mm, 200 mm & 300 mm are available for accurate measurements of dimensions and general laboratory work.
- ♦ Stainless Steel Foot rules scale of 150 mm, 300 mm, 600 mm & 900 mm sizes are available.



Tech-Mech G.I. Tray

These are made from heavy gauge G.I. sheet with lifting handle.



Available sizes are :

	L (mm)	W (mm)	H (mm)
1.	200	200	50
2.	250	300	50
3.	300	300	50
4.	300	450	50
5.	450	450	50
6.	450	600	50
7.	600	600	50

Tech-Mech Enamel Tray

Useful for sampling in various testing of soil samples.



The sizes available are as under :

	L (mm)	W (mm)	H (mm)
1.	250	300	50
2.	300	450	50
3.	450	600	50
4.	450	450	50
5.	600	600	50

Conversion Table

To convert from	To	Multiply by	For Practical Purpose
Tonne	Kg	1016.05	1000
Kg	lb	2.2046	2.2046
Kg	N	9.8067	10
N	Kg	0.1019	0.1
Tonne	KN	9.8067	10
KN	Tonne	0.1016	0.1

On Meeting Table

The quality consciousness has swipped the nation through the implementation of quality control system by Government and Private sectors. To control the quality to the maximum level is the chief aim of all projects and industries.

Government has also implied strict quality control at the site in the presence of consulting agencies and consulting engineers. Any constructive mission under strict quality control supervision can be resulted in to the satisfactory miracle. Modern and good quality of highways, buildings and bridges are the asset and pride of the nation.

We are humbly presenting our efforts in the form of Quality Control Equipments for the soil testing and other laboratory testing work.

We are established since 1977 and having an experience of over 2 ½ decades in this field. In fact we have a separate technical and commercial departments, always alert and active to look after to your valued needs. We are having fully equipped factory with all modern machineries and test and measuring instruments for production of Laboratory equipments of highest standard under supervision of experienced engineers. We are a team of experienced instrumentation engineers, consulting engineers, skilled technicians and marketing executives to provide quick and effective services at your doorsteps.

We are having our calibration set up for calibration of Pressure Gauges, Glass Thermometers, Digital Thermometers, Dial Gauge etc. with the "National Traceability". We are also having fully equipped service center for servicing and calibration of indigenous and imported survey equipments.

Our Valued customers are the "AA" class contractors who are the teams of highly qualified and experienced civil engineers like Larsen and Toubro Limited (ECC Group), JMC Projects Limited, Hindustan Construction Co., Simplex Engineers Ltd., Nagarjuna Construction Company, Sadbhav Engineering Ltd., Backbone Projects Ltd., Somdatt Builders Pvt. Ltd. We have also got the opportunity for establishment of all the major laboratories at Ahmedabad-Baroda Express Highway.

The reputed and standard private Material Testing Labs. like KBM Engineering Pvt. Limited, Ahmedabad Engineering Research Institutes, Sheladia Associates, KCT Consultancy Services, M. K. Soil Testing Laboratory, Galaxy Engineering Research Agency, Shikhar Consultants etc. are also in our regular client list.

Our chief aim is ♦ To provide "Quality Product" at a most economical price.

♦ Fastest delivery schedule.

♦ Onsite installation, demonstration and calibration.

♦ Techno-Commercial assistance within 24 to 48 hours on receipt of any call.

We take this opportunity to thank all our valued customers, Ex. Engineers, Consulting Engineers, Research Officers whose suggestions for improvement have developed our organisation to serve you in return for the years to come. Looking forward to continue our journey towards the excellence with co-operation of You all.

For

Erection & Instrumentation Engineers.

Data & Design are subject to change without notice.

Mfg. by:

TECHMECH

**Tech-Mech Scientific
Instrument Corporation**

(An ISO 9001 : 2008 Certified Company)
43, Mahavir Estate, B/h. Anupam Cinema,
Khokhra, Ahmedabad-380 008.
Ph. : (079)2216 4334, 2216 5580, 2216 3705

Mktd. by:



EIE INSTRUMENTS PVT. LTD.

(An ISO 9001 : 2008 Certified Company)

B-14, Zaveri Industrial Estate, Opp. Shyam Villa, Singarva-Kathwada Road,
Ahmedabad-382 430. • Ph. : (079) 22901462, 9904301463-64
Fax : (079) 22901591 • E-mail : info@eieinstruments.com
Website : www.eieinstruments.com